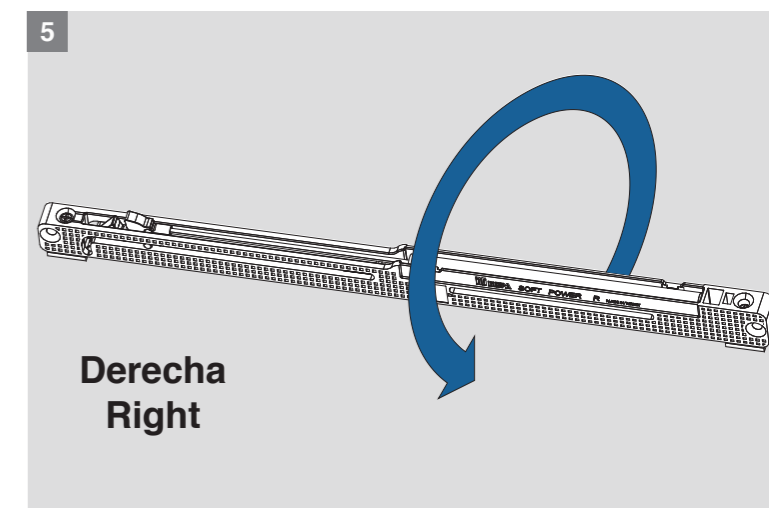
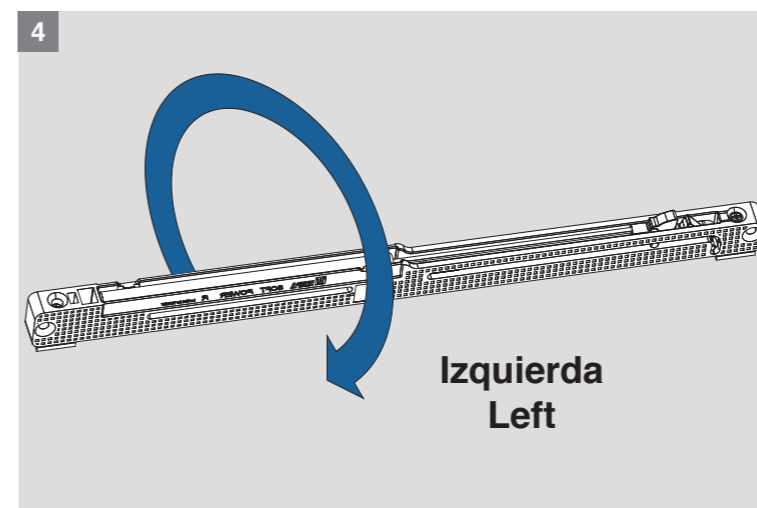
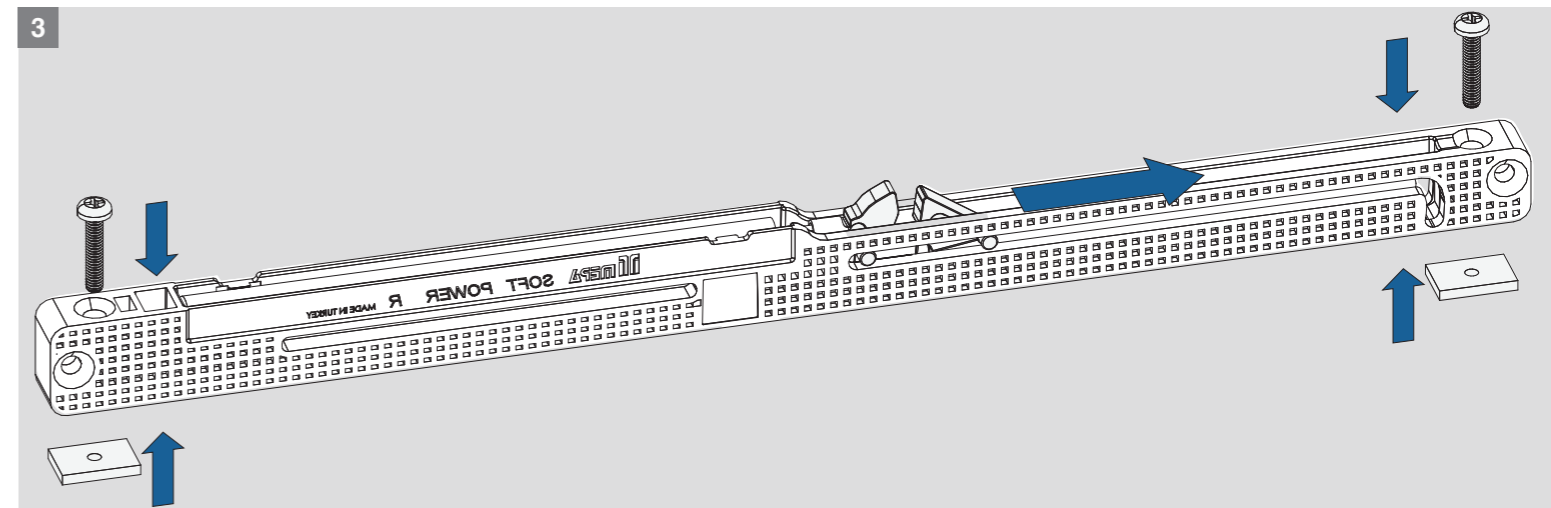
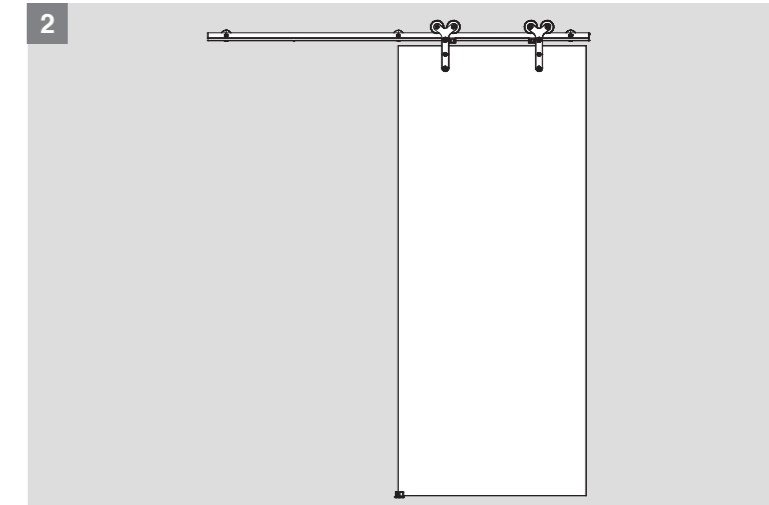
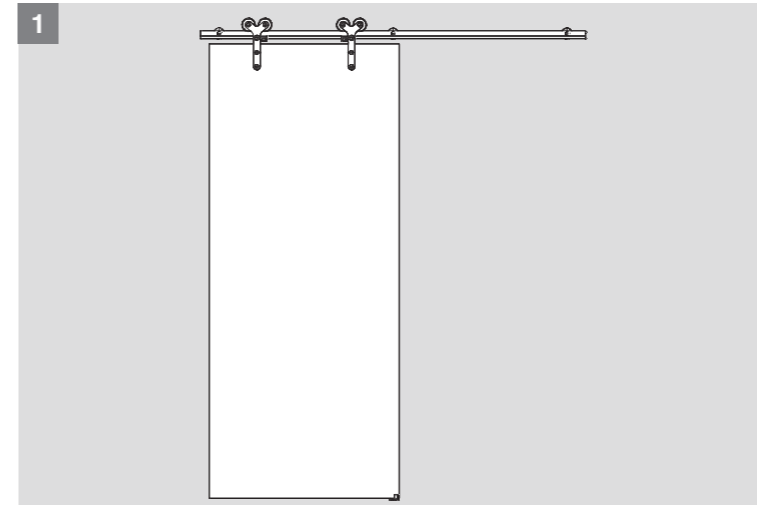
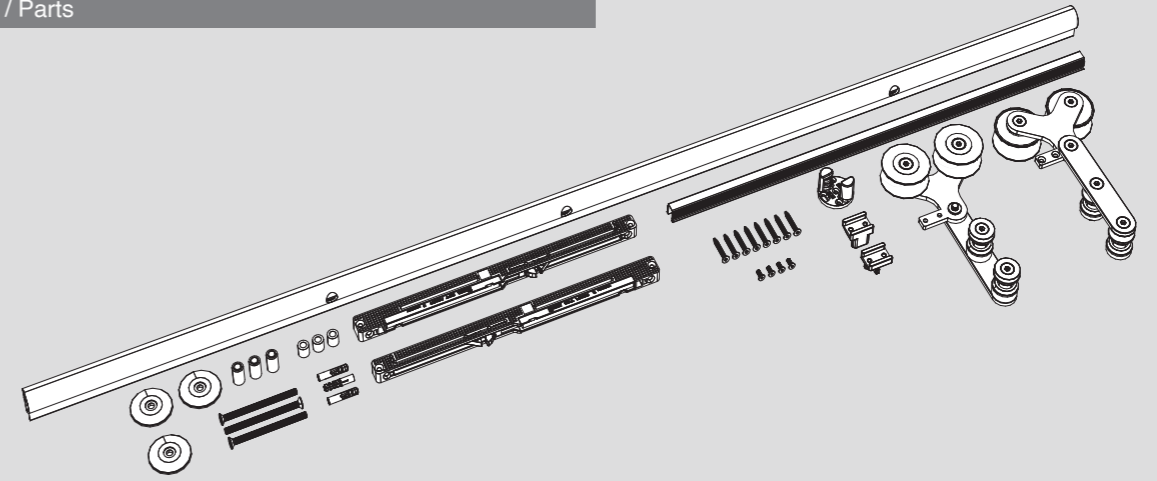


Componentes / Parts



Dimension

